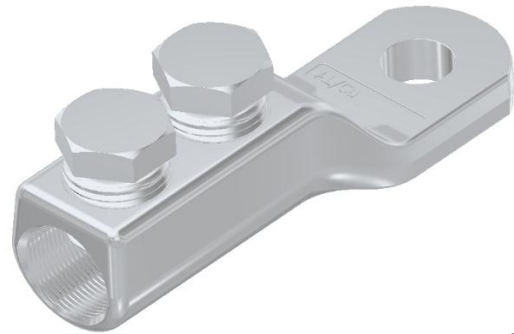


**Product data**

Product code	<b>VB05-0004</b>	STK-code	<b>5201187</b>	EAN-code	<b>6410052011871</b>
Product name	Shear bolt cable lug ROLA 185-300				
Wires	Al/Cu 185-300 mm <sup>2</sup>				

**Technical data**

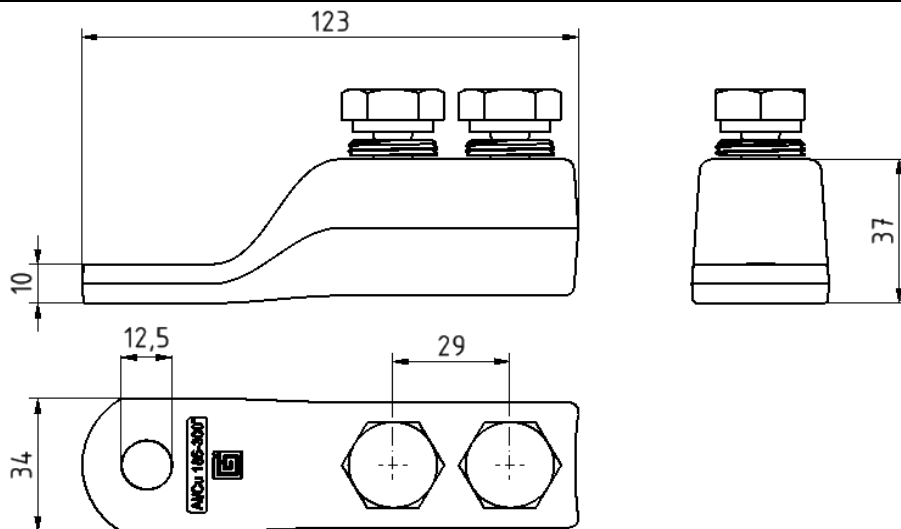
Nominal current	Cu	-	A
	Al	-	A
Nominal voltage		<b>1000</b>	V
Number of pole		<b>1</b>	pcs
Max. Cross section		<b>300</b>	mm <sup>2</sup>
Tightening torque	185-300 mm <sup>2</sup>	<b>48-56</b>	Nm
	-	-	
	-	-	
	-	-	
Max. Operating temperature		-	°C
Weight		<b>300</b>	g
IP-protection		-	
Standards	<b>EN 61238-1:2003</b>		
Color/ Coating	<b>Sn</b>		
Mounting/ Connection	<b>Shear head screws M22x1,5 (2 pcs)</b>		



**Description**

ROLA, Shear bolt cable lug are suitable for aluminium and copper conductors. Solid, stranded, sector shaped and circular conductors are allowed. The installation is made by shear head screws and torque tools are not needed.

**Drawing**



**Package**

Package	<b>Bag</b>	pcs/ package	<b>3</b>	Weight [Kg]	<b>0,90</b>
Length [mm]	-	Width [mm]	-	Height [mm]	-