

Product data

Product code	VB04-0002	STK-code	5216440	EAN-code	6410052164409
Product name	Shear bolt splice connector ORJA 35-70				
Wires	Al 35-70 mm ²				

Technical data

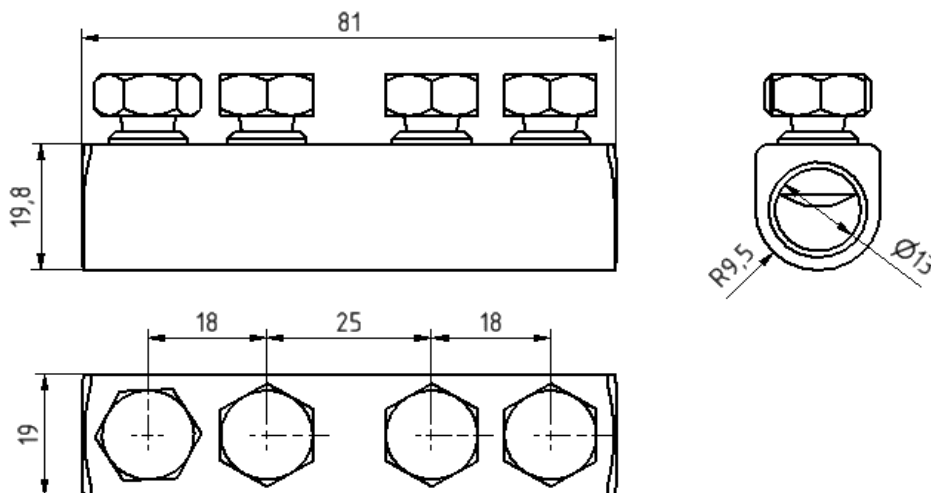
Nominal current	Cu	-	A
	Al	-	A
Nominal voltage		1000	V
Number of pole		1	pcs
Max. Cross section		70	mm ²
Tightening torque	35-70 mm ²	12-25	Nm
	-	-	
	-	-	
	-	-	
Max. Operating temperature		-	°C
Weight		62	g
IP-protection		-	
Standards	SFS 2663:1975		
Material/ Coating	Aluminium, no coating		
Mounting/ Connection	Shear head screws		



Description

ORJA, Shear bolt splice connector are suitable for aluminium conductors. Solid, stranded, sector shaped and circular conductors are allowed. The installation is made by shear head screws and torque tools are not needed.

Drawing



Package

Package	Bag	pcs/ package	3	Weight [Kg]	0,19
Length [mm]	-	Width [mm]	-	Height [mm]	-